

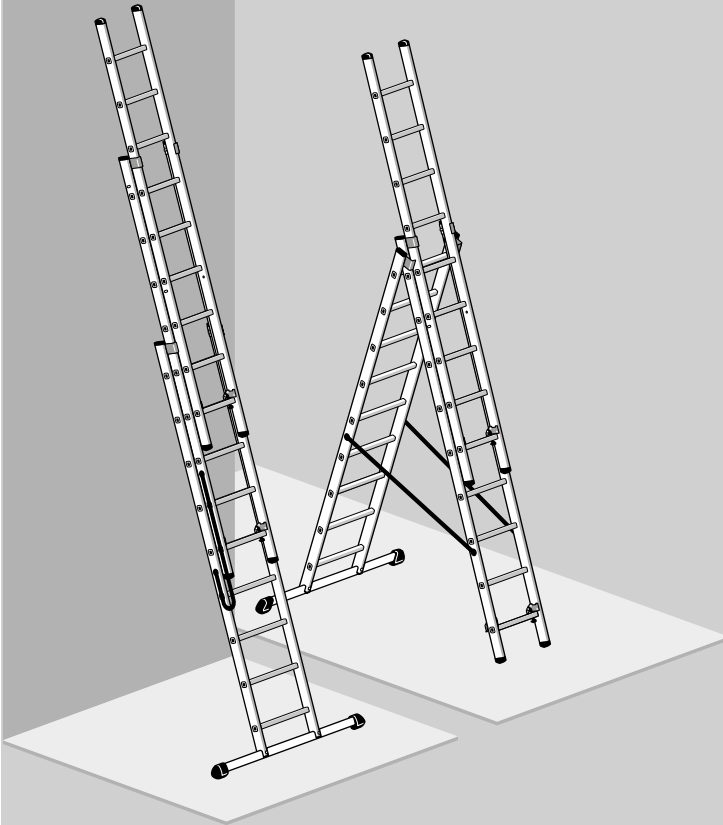
Aluminium combination ladder (3-section)

Item no.

7306-xxx (3 x 6 rungs)

7309-xxx (3 x 9 rungs)

7312-xxx (3 x 12 rungs)



Technical modifications reserved.

Table of Contents

1. Introduction	19
2. Intended use	19
3. Technical information	20
4. Scope of delivery	22
5. Instructions for assembly	23
6. Assembly / operation	24
7. Safety instructions	26
8. Transport / storage	30
9. Care / preventive maintenance.	30
10. Service life	31
11. Packaging / disposal	31
12. Product information	31
13. Service / replacement parts	31
14. Inspection Plan	32

Manufacturer:

Hailo-Werk • Rudolf Loh GmbH & Co. KG

Daimlerstr. 8
35708 Haiger, Germany

Telefon: +49 (0) 2773 82-0

Telefax: +49 (0) 2773 82-1239

E-Mail: info@hailo.de
www.hailo.de

1. Introduction

These Use and Operating Instructions describe the safe use of the 3-section combination ladder.



These directions for use and handling contain important safety information. Therefore read over these directions completely; in particular, pay attention to all safety information before you use the ladder.

GB

The ladder meets the requirements of the European standard EN 131-1-2-3.

Please keep these directions for use and handling. When the ladder is passed on to another user, these Use and Operating Instructions should be provided.

2. Intended use

This ladder is a moveable work tool that can be used in various locations. With this ladder, small scale jobs can be carried out at heights at which use of other work tools is not commensurate (see German Industrial Safety Regulation).

This latter may only be used as specified in these Use and Operating Instructions. Any other use shall be deemed as not for the intended purpose. No liability shall be assumed for damages that result from use that is not for the intended purpose.

Modifications to the ladder that are not authorised by the manufacturer shall lead to termination of the guarantee and warranty.

3. Technical information

The 3-section aluminium combination ladder consists of a double-sided 2-section stepladder [A] and a single ladder [B].

The single ladder [B] can be used on the stepladder [A] as an extension section.

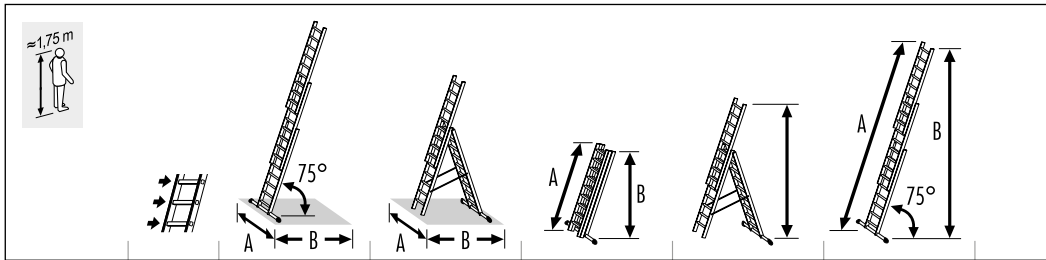
The stepladder [A] can be converted to a single ladder (extension ladder) and the single ladder [B] can in turn be used as an extension section.

With the multi-purpose ladders 7306-xxx / 7309-xxx / 1021-xxx / 1027-xxx / 1033-xxx, the single ladder [B] can be removed; it can be used as a separate ladder.

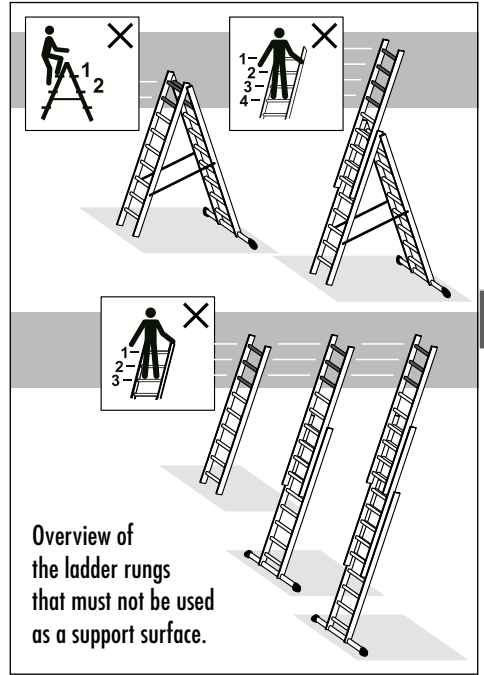
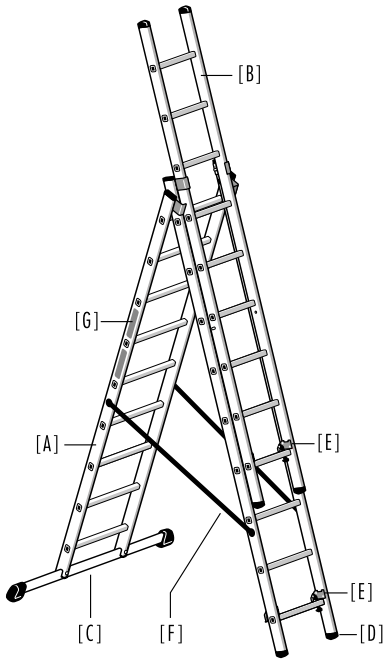
The relevant technical information and product-specific information are on the ladder label [G] directly on the ladder.

Combination ladder (3-section):

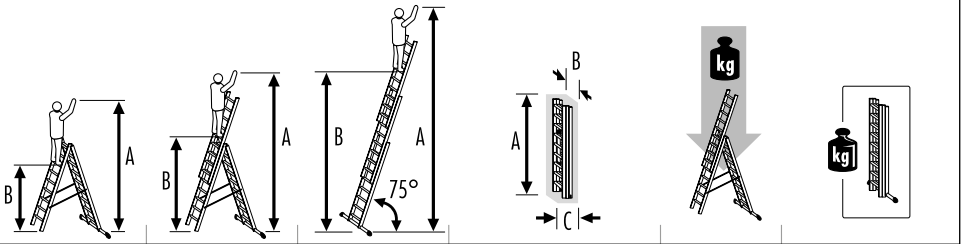
- [A] Stepladder (2-section)
- [B] Single ladder
- [C] Crossbar
- [D] Ladder foot
- [E] Pair of locking hooks
- [F] Tensioning strap
- [G] Ladder label



7309-xxx	3 x 9	A = 1,10 m B = 1,48 m	A = 1,10 m B = 1,64 m	A = 2,63 m B = 2,55 m	4,10 m	A = 5,71 m B = 5,52 m	
7312-xxx	3 x 12	A = 1,27 m B = 2,13 m	A = 1,27 m B = 2,16 m	A = 3,47 m B = 3,36 m	5,44 m	A = 8,23 m B = 7,95 m	



GB



A = 2,70 m B = 0,70 m	A = 3,25 m B = 1,23 m	A = 4,60 m B = 2,60 m	A = 1,80 m B = 0,48 m, C = 0,19 m	max. 150 kg	11,9 / 12,0 kg
A = 3,50 m B = 1,50 m	A = 4,55 m B = 2,56 m	A = 6,50 m B = 4,50 m	A = 2,64 m B = 0,48 m, C = 0,19 m	max. 150 kg	17,8 / 17,9 kg 18,7 / 18,8 kg
A = 4,30 m B = 2,30 m	A = 5,90 m B = 3,89 m	A = 8,95 m B = 6,93 m	A = 3,47 m B = 0,48 m, C = 0,19 m	max. 150 kg	27,0 / 27,1 kg 27,9 / 28,0 kg
A = 2,85 m B = 0,85 m	A = 3,60 m B = 1,57 m	A = 5,35 m B = 3,33 m	A = 1,80 m B = 0,48 m, C = 0,19 m	max. 150 kg	12,0 / 12,1 kg
A = 3,35 m B = 1,34 m	A = 4,30 m B = 2,31 m	A = 6,10 m B = 4,07 m	A = 2,33 m B = 0,48 m, C = 0,19 m	max. 150 kg	14,6 / 14,7 kg
A = 3,80 m B = 1,80 m	A = 4,75 m B = 2,76 m	A = 6,80 m B = 4,81 m	A = 2,83 m B = 0,48 m, C = 0,19 m	max. 150 kg	17,6 / 17,7 kg

4. Scope of delivery

A) Combination ladder with oval tubing crossbar

1 x Aluminium combination ladder (3-section)

1 x Crossbar (oval tubing)

Mounting elements:

2 x M6 hex nut

2 x spacer sleeve

2 x M6 screw

1 x Use and Operating Instructions

B) Combination ladder with rectangular tubing crossbar

1 x Aluminium combination ladder (3-section)

1 x Crossbar (rectangular tubing)

Mounting elements:

2 x M6 hex nut

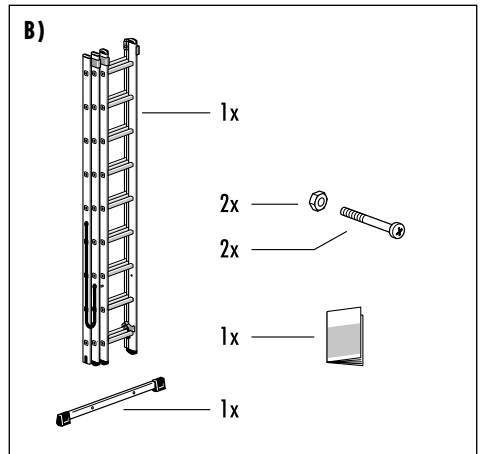
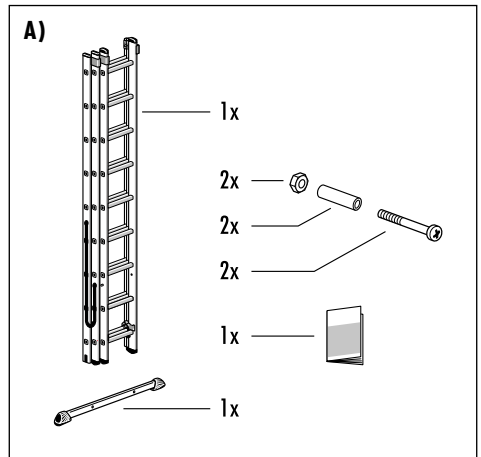
2 x M6 screw

1 x Use and Operating Instructions

Check that the contents are complete and check for any possible transport damage before use. Remove the packaging material.



Packaging material is not a children's toy; there is a risk of suffocation if not handled properly.



5. Instructions for assembly

The crossbar must be installed before using the combination ladder.

1. Prepare the combination ladder.

Lay the combination ladder down.

Unlock the front ladder element [A-2] and the single ladder [B] at the locking hook [E], raise slightly and move one rung backwards.

The crossbar [C] can now be removed.

Then lock the locking hooks on the ladder rungs (see 6.2 Adjustment and locking mechanism with locking hooks).

The crossbars for the combination ladder are available in different versions (oval or rectangular tubing profile).

2. Installing the oval tubing crossbar [C]:

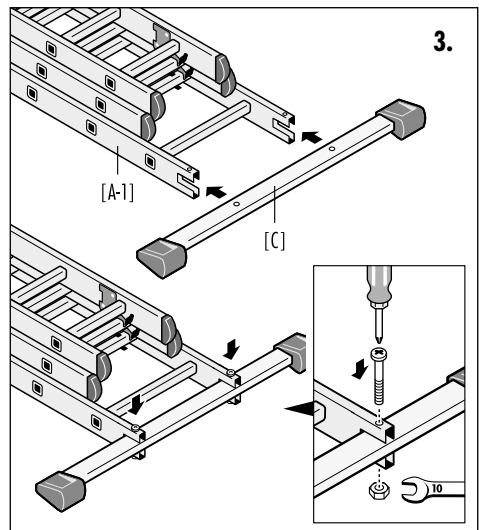
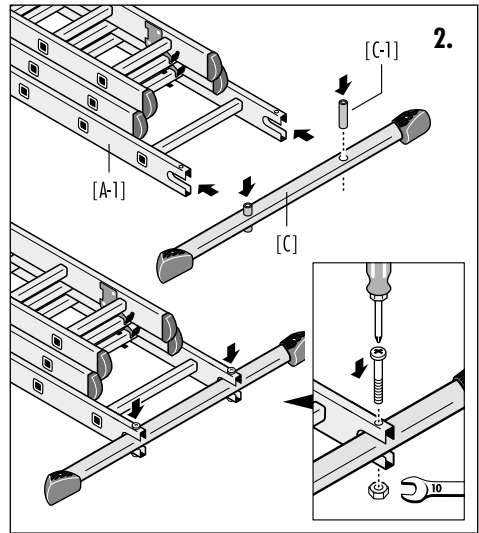
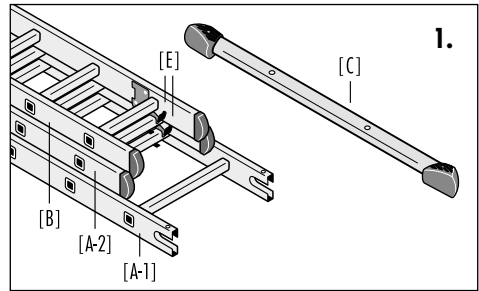
Insert the spacer sleeves [C-1] in both holes of the oval tubing and place the crossbar into the ladder part's slot [A-1].

Firmly screw the crossbar onto the two ladder side rails.

3. Installing the oval rectangular crossbar [C]:

Insert the crossbar into the ladder part's slot [A-1].

Firmly screw the crossbar onto the two ladder side rails.

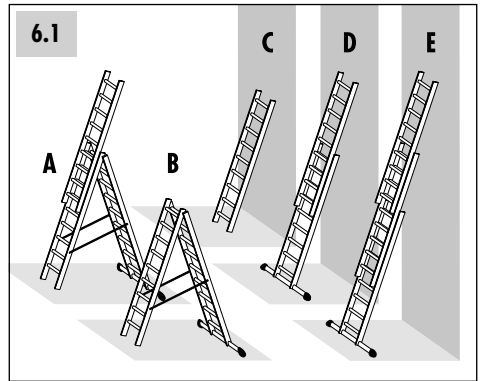


The combination ladder must only be used with the crossbar installed.

6. Assembly / operation

6.1 Set-up options (schematic diagram)

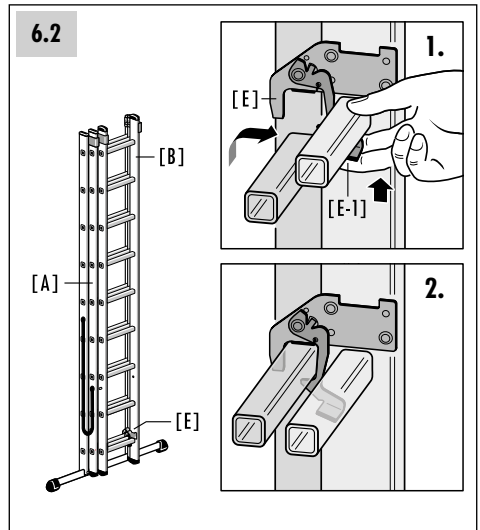
- A - Free-standing step ladder with single ladder attached (3-section).
- B - Free-standing stepladder (2-section).
- C - Single ladder (1-section)
- D - Single ladder (2-section)
- E - Single ladder (3-section)



6.2 Adjustment and locking mechanism with locking hooks

The ladder or a ladder element is locked on a ladder rung using the pair of locking hooks [E]. The anti-lift security device [E-1] on the locking hook secures the ladder against unintentional movement and serves as a transport lock.

1. Pull up on the anti-lift security device [E-1] on the locking hook [E] and lift the ladder slightly to unlock it. After they are unlocked, the ladder elements can be moved to another position. The single ladder [B] can be separated from the stepladder if necessary (see 3. Technical information)
2. Before using the ladder, the locking hooks must be correctly positioned on the ladder rung and the anti-lift security device [E-1] must be automatically engaged.

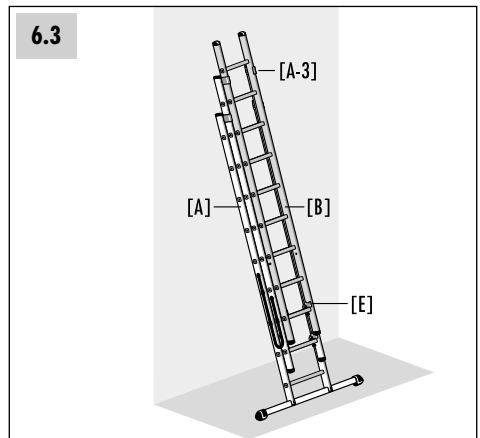


6.3 Operation of the single ladder

The single ladder [B] can be used with the stepladder [A] as an additional extension section or as a separate ladder (Item no. 7306-xxx/7309-xxx/1021-xxx/1027-xxx/1033-xxx).

To separate the single ladder [B] from the stepladder [A]: Unlock the single ladder [B] at the locking hook [E] and then move out of the ladder guide [A-3].

In reverse order, the single ladder [B] can be put back together with the stepladder [A].



6.4 Set-up and use as a stepladder.

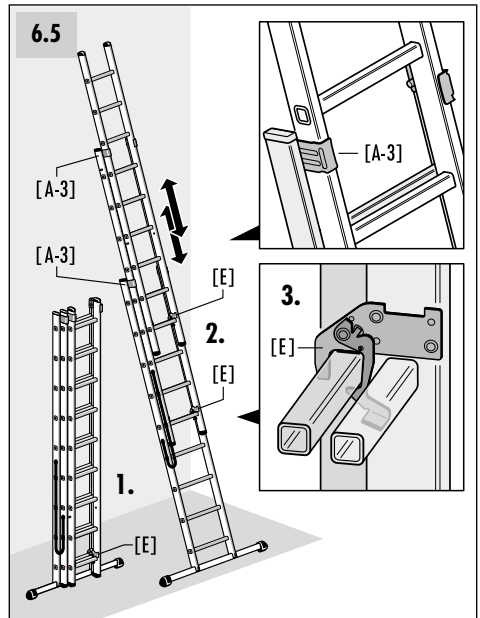
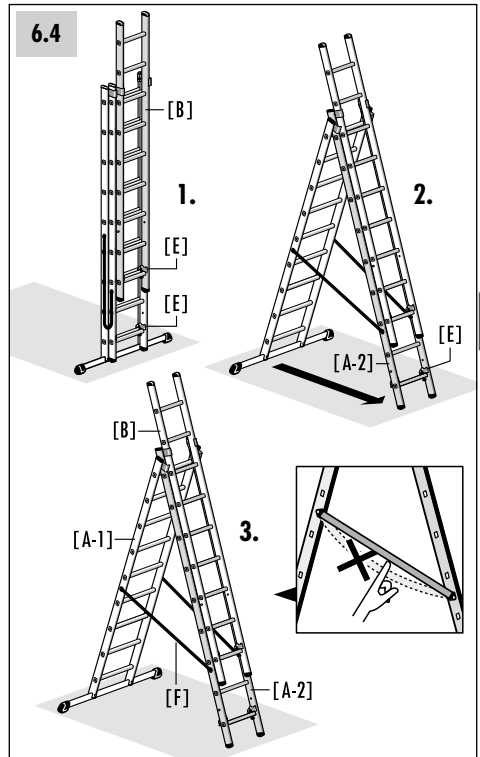
1. Place the ladder with the crossbar on the ground and raise it until it is vertical for easier handling. Unlock the single ladder [B], position it one or two rungs higher and lock it again.
2. Unlock the front ladder element of the stepladder [A-2] at the lock hook [E] and unhinge, pulling forward and thereby opening the stepladder completely.
3. The tensioning strap [F] must be completely taut. The ladder side rail of the front ladder element [A-2] must be in a locked position at the guide bracket of the back ladder element [A-1].

6.5 Set-up and use as a single ladder.

1. Place the ladder with the crossbar on the ground and raise it until it is vertical for easier handling.
Note: With the longer ladder lengths, the ladder elements are best moved into the desired position on the ground and set up with 2 persons if necessary.
2. Unlock the ladder elements at the rest hook [E] and move along the guide bracket [A-3] to the desired height.
3. Then securely lock the ladder elements again at the ladder rungs with the help of the locking hooks [E].

6.6 Storage

After using the combination ladder, securely re-lock the ladder elements using the locking hook [E] at the lowest ladder rung.

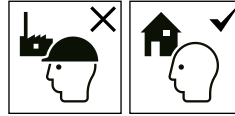


7. Safety instructions

7.1 General safety information

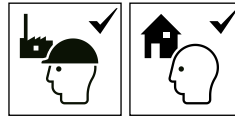
- There is inherently a risk of falling when using the ladder.
All work with and on the ladder should therefore be carried out in such a way that a risk of falling is kept as low as possible.
- When using the ladder, there is also the risk of tipping over.
Individuals can be injured and objects damaged due to the ladder tipping over.
All work with and on the ladder should therefore be carried out in such a way that a risk of tipping over is kept as low as possible.
- Repairs and maintenance work on the ladder must be carried out by a qualified person and according to the instructions of the manufacturer.

Using the ladder for non-professional use:



- The user must always ensure that the ladder is also suitable for the respective use.

Using the ladder for professional use:



- Regular inspection by a qualified person is required for commercial use (Industrial Safety Regulation).
- The contractor has to ensure that ladders are inspected recurrently for proper condition (visual and functional inspection). For this purpose, the type, scope and time periods of the required inspections must be determined.
- The time intervals for the inspection will conform to the operating conditions, in particular the frequency of use and demands during use as well as the frequency and severity of established defects during the preceding inspections.
- The contractor also has to ensure that defective ladders are removed from use and stored in such a way that further use is not possible until proper maintenance or disposal takes place.

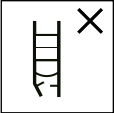
7.2 Safety information for using the ladder



Warning, fall from the ladder.



Refer to instruction manual/booklet.



Inspect the ladder after delivery. Before every use visually check the ladder is not damaged and is safe to use.
Do not use a damaged ladder.



Maximum total load.



Do not use the ladder on a unlevel or unfirm base.



Do not overreach.



Do not erect the ladder on contaminated ground.



Maximum number of users.



Do not ascend or descend unless you are facing the ladder.



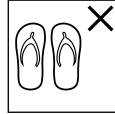
Keep a secure grip on the ladder when ascending and descending. Maintain a handhold whilst working from a ladder or take additional safety precautions if you cannot.



Avoid work that imposes a sideways load on ladders, such as side-on drilling through solid materials.



Do not carry equipment which is heavy or difficult to handle while using a ladder.



Do not wear unsuitable footwear when climbing a ladder.



Do not use the ladder if you are not fit enough. Certain medical conditions or medication, alcohol or drug abuse could make ladder unsafe.

Do not spend long periods on a ladder without regular breaks (tiredness is a risk).

7. Safety instructions

7.2 Safety information for using the ladder

Prevent damage of the ladder when transporting e.g. by fastening and ensure they are suitably placed to prevent damage.

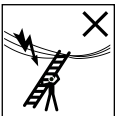
Ensure the ladder is suitable for the task.

Do not use the ladder if contaminated, e.g. with wet paint, mud, oil or snow.

Do not use the ladder outside in adverse weather conditions, such as strong wind.

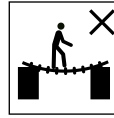
For professional use a risk assessment shall be carried out respecting the legislation in the country of use.

When positioning the ladder take into account risk of collision with the ladder e.g. from pedestrians, vehicles or doors. Secure doors (not fire exits) and windows where possible in the work area.



Warning, electricity hazard.
Identify any electrical risks in the work area, such as overhead lines or other exposed electrical equipment and do not use the ladder where electrical risks occur.

Use non-conductive ladders for unavoidable live electrical work.

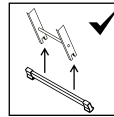


Do not use the ladder as a bridge.

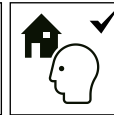
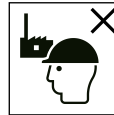
Do not modify the ladder design.

Do not move a ladder while standing on it.

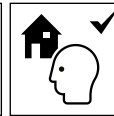
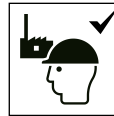
For outdoor use caution to the wind.



The crossbar must be installed before using the combination ladder. (see 5. Instructions for assembly)



Ladder for domestic use.



Ladder for professional use.

7.3 Use as a single ladder



Leaning ladders with rungs shall be used at the correct angle.



Ladders used for access to a higher level shall be extended at least 1 m above the landing point and secured, if necessary.



Do not lean the ladder against unsuitable surfaces.

Ladder shall never be moved from the top.



Do not stand on the top three steps/rungs of a leaning ladder.

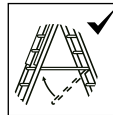
7.4 Use as a stepladder



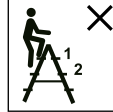
Do not step off the side of standing ladder onto another surface.



Open the ladder fully before use.

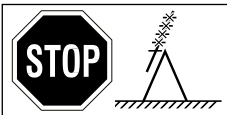


Use the ladder with restraint devices engaged only.



Do not stand on the top two steps/rungs of a standing ladder without a platform and a hand/knee rail.

7.5 Use as a stepladder with attached extension section (3-section multi-purpose ladder)



When using the ladder in the stepladder position with attached extension ladder, do not climb beyond the rung recommended by the manufacturer.



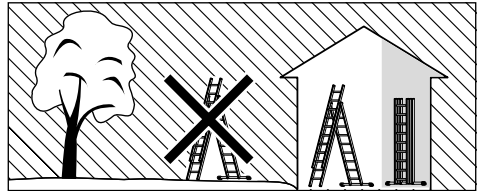
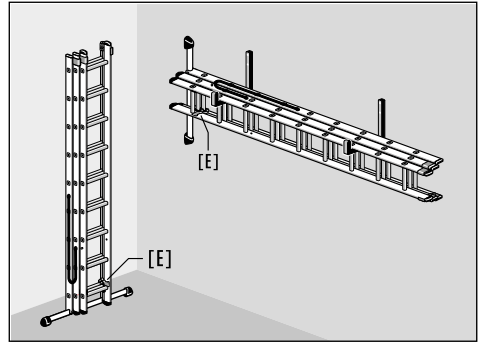
Do not use the top three rungs of a single-section ladder as a support surface.



Locking devices shall be checked and be fully secured before use if not operated automatically.

8. Transport / storage

- Securely engage the ladder units [E] with the latch hook on the respective lowest ladder rung before and after use as well as for storage and transport.
- In order to avoid any damage, the ladder should be securely fastened (e.g., on roof carriers or in the car).
- The ladder should be stored vertically in a dry environment.
- Any damage must be precluded, and all parts protected from weather conditions.
- Store the ladder in such a way that it is protected from children at play and no person can be disabled by it (possible risk of tripping over it).



9. Care / preventive maintenance

- Care and maintenance of the ladder should insure its proper functioning. The ladder must be checked regularly for damages. The function of moving parts must be ensured.
- Cleaning the ladder, especially of all moving parts, should occur immediately after use in the event of any visible soiling.
- Use only standard, water soluble cleaning agents. Do not use any aggressive scouring agents.

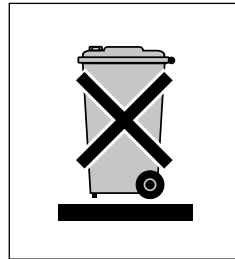


10. Service life

When used for its intended purpose and regularly maintained, the ladder is a work tool that can be used for the long term.

11. Packaging / disposal

- If the ladder is scrapped, it must be disposed of in accordance with current regulations.
- The product must not be disposed of in domestic waste.
- All components, including packaging must be sorted and separated accordingly.
- Aluminium is a high-grade material and should be put into the recycling system.
- Your municipality can give you detailed information about this.



GB

12. Product information

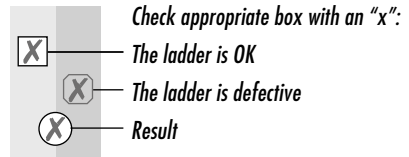
You can find these Use and Operating Instructions on the internet at www.hailo.de.

13. Service / replacement parts

You can obtain additional information about services and replacement parts directly from the manufacturer.

14. Inspection plan

- There exists the risk of a fall due to damaged, defective or non- functional ladder units; there is also a risk of tipping over when using the ladder.
- Users of the ladder can sustain serious injuries during a fall.
- Objects can likewise be damaged if the ladder tips over.



Ladder elements:	Inspection points:
1. General inspection points	<i>All fastenings (rivets, screws, bolts, etc.) must be completely present. Are any fastenings possibly loose or corroded? Are there any contaminants (e.g., dirt, mud, paint, oil or grease) on the ladder?</i>
2. Ladder stile, ladder rung	<i>Are the ladder side rails possibly bent, twisted, dented, cracked or corroded? All ladder rungs must be completely present. Are ladder rungs possibly worn out, loose, corroded or damaged?</i>
3. Connecting elements, ladder guide, fittings	<i>Inspect ladder guides and stop bolts for functionality and tightness as well as damage and corrosion. The locking of the ladder with the locking hooks and anti-lift security device must work perfectly. Are the locking hooks and anti-lift security device possibly damaged, loose or corroded?</i>
4. Crossbar, feet, caps	<i>Inspect crossbar, feet and end caps for tightness as well as damage and corrosion. All ladder feet and end caps must be present. Are any ladder feet loose, worn out or corroded?</i>
5. Safety braces	<i>Inspect technical condition of the tensioning rope. Are the attachment points in good condition? Are damage or cracks present?</i>
6. Ladder labels	<i>Are all labels present and perfectly legible?</i>
RESULT	<i>The ladder is all right and usable. A repair of the ladder is required. A repair has been carried out, and the ladder is usable again. The ladder is no longer usable (disposal).</i>