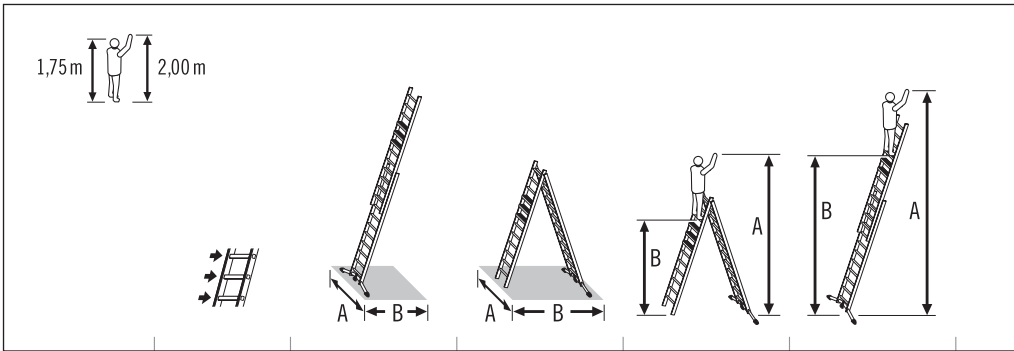


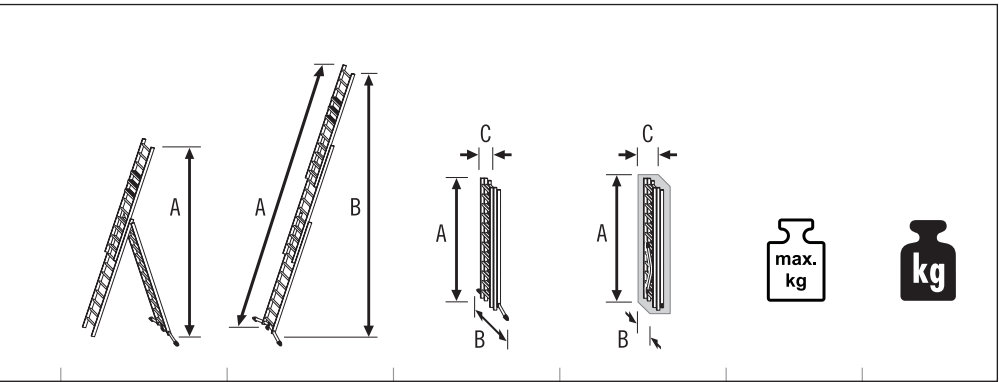
9001-007	3 x 12	A = 1,49 m B = 2,05 m	A = 1,49 m B = 2,17 m	A = 6,27 m B = 4,27 m	A = 8,78 m B = 6,78 m
-----------------	--------	--------------------------	--------------------------	--------------------------	--------------------------

9001-007	3 x 12	A = 4.89 ft B = 6.73 ft	A = 4.89 ft B = 7.12 ft	A = 20.57 ft B = 14.01 ft	A = 28.81 ft B = 22.24 ft
-----------------	--------	----------------------------	----------------------------	------------------------------	------------------------------



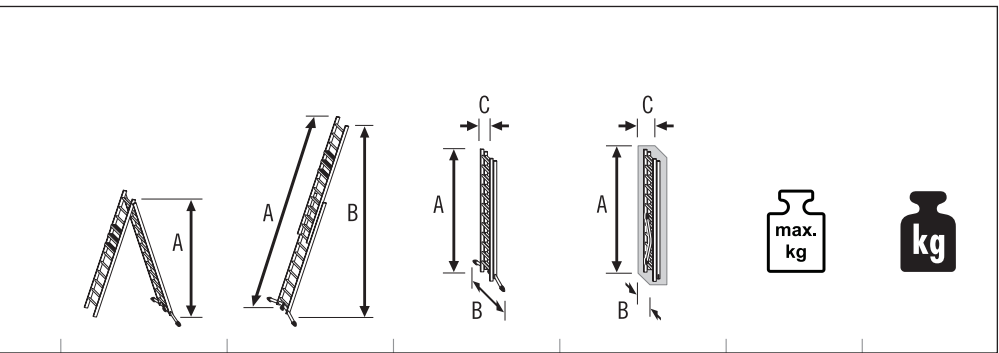
9002-007	2 x 12	A = 1,49 m B = 1,51 m	A = 1,49 m B = 2,19 m	A = 4,65 m B = 2,65 m	A = 6,61 m B = 4,61 m
-----------------	--------	--------------------------	--------------------------	--------------------------	--------------------------

9002-007	2 x 12	A = 4.89 ft B = 4.96 ft	A = 4.89 ft B = 7.19 ft	A = 15.26 ft B = 8.70 ft	A = 21.69 ft B = 15.12 ft
-----------------	--------	----------------------------	----------------------------	-----------------------------	------------------------------



$A = 5,59 \text{ m}$	$A = 8,09 \text{ m}$ $B = 7,85 \text{ m}$	$A = 3,61 \text{ m}$ $B = 1,49 \text{ m}$ $C = 0,23 \text{ m}$	$A = 3,60 \text{ m}$ $B = 0,49 \text{ m}$ $C = 0,23 \text{ m}$	max. 150 kg	34 kg
----------------------	--	--	--	----------------	-------

$A = 18.34 \text{ ft}$	$A = 26.54 \text{ ft}$ $B = 25.75 \text{ ft}$	$A = 11.84 \text{ ft}$ $B = 4.89 \text{ ft}$ $C = 0.75 \text{ ft}$	$A = 11.81 \text{ ft}$ $B = 1.61 \text{ ft}$ $C = 0.75 \text{ ft}$	max. 330 lbs	75 lbs
------------------------	--	--	--	-----------------	--------



$A = 3,39 \text{ m}$	$A = 5,81 \text{ m}$ $B = 5,63 \text{ m}$	$A = 3,57 \text{ m}$ $B = 1,49 \text{ m}$ $C = 0,16 \text{ m}$	$A = 3,35 \text{ m}$ $B = 0,42 \text{ m}$ $C = 0,16 \text{ m}$	max. 150 kg	24 kg
----------------------	--	--	--	----------------	-------

$A = 11.12 \text{ ft}$	$A = 19.06 \text{ ft}$ $B = 18.47 \text{ ft}$	$A = 11.71 \text{ ft}$ $B = 4.89 \text{ ft}$ $C = 0.52 \text{ ft}$	$A = 10.99 \text{ ft}$ $B = 1.38 \text{ ft}$ $C = 0.52 \text{ ft}$	max. 330 lbs	53 lbs
------------------------	--	--	--	-----------------	--------